

Parts Catalogue

DFP9Xe Forward Plates

Battery : BatteryOne



No. 4812400053 | 2024-04-15

© 2021 Dynapac GmbH

*Your Partner
on the Road Ahead*

General information

Use only authorized parts. Any damage or malfunction caused by the use of unauthorized parts is not covered by Warranty or Product Liability. Any unauthorized use or copying of the contents or any part thereof is prohibited. This applies in particular to trademarks, model denominations, part numbers, and drawings.

Instructions for use

This spare parts list contains no safety regulations and is merely intended to assist in the ordering of spare parts.

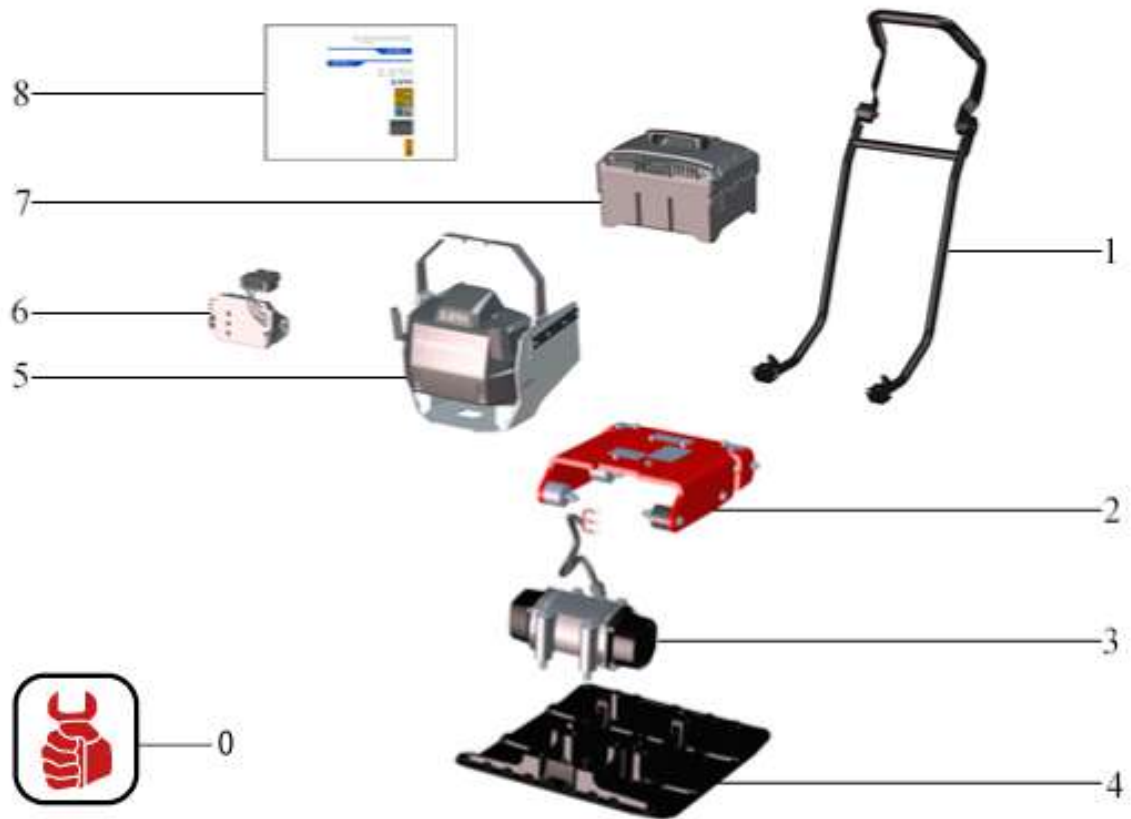
For information about operating, servicing, or repairing, the relevant Safety and operating instructions must be consulted at all costs.

Please observe the safety instructions listed in the relevant Safety and operating instructions!

Forward Plate DFP9Xe BatteryOne	1
Service, repair and wear part kits	
Service, repair and wear part kits	3
Service, repair and wear part kits	
4812400052 Repair kit, shock-absorber	5
Refurbishing kits	
Refurbishing kit	7
4812400058 Refurbishing kit - decals	9
Color Dynapac-Light	11
Lubricants	
50 Frame	
Chassis parts	13
Battery holder	15
devibrated handle	17
Handle	
devibrated handle, cpl.	19
Devibrated handle parts	21
65 Plate	
Base plate	23
80 Electrical System	
Vibrations unit	25
Electric components	27
Charger and battery	29
4812335049 1400 Wh Battery incl. storage/transport box	31
4812335048 1000 Wh Battery incl. storage/transport box	33
100 Accessories	
Accessories	
Decal	35

Forward Plate DFP9X e (BatteryOne)

Forward Plate DFP9Xe BatteryOne



Refer to Parts Online for the most up to date information. The printed information might be outdated.

Mon Jun 08 16:17:27 UTC 2026

Forward Plate DFP9X e (BatteryOne)

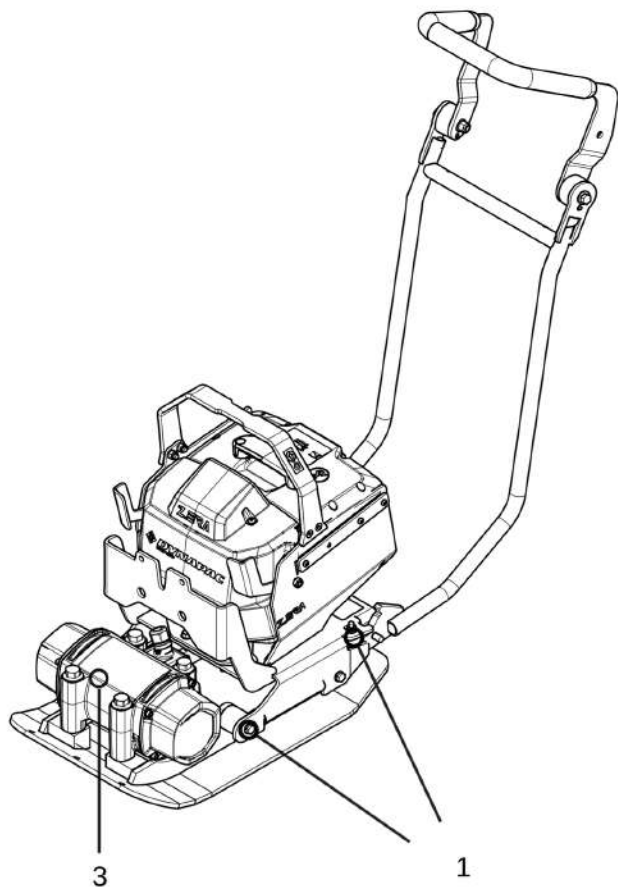


Item	Part No.	Qty	Name	SN INFO
0	PNNA	1	Service, repair and wear part kits	
1	PNNA	1	Handle	
2	PNNA	1	Chassis parts	
3	PNNA	1	Vibrations unit	
4		1	Base plate	
5	PNNA	1	Battery holder	
6	PNNA	1	Electric components	
7	PNNA	1	Charger and battery	
8		1	Decals	

Refer to Parts Online for the most up to date information. The printed information might be outdated.

Mon Jun 08 16:17:27 UTC 2026

Service, repair and wear part kits Service, repair and wear part kits



4



5

6



Forward Plate DFP9X e (BatteryOne)

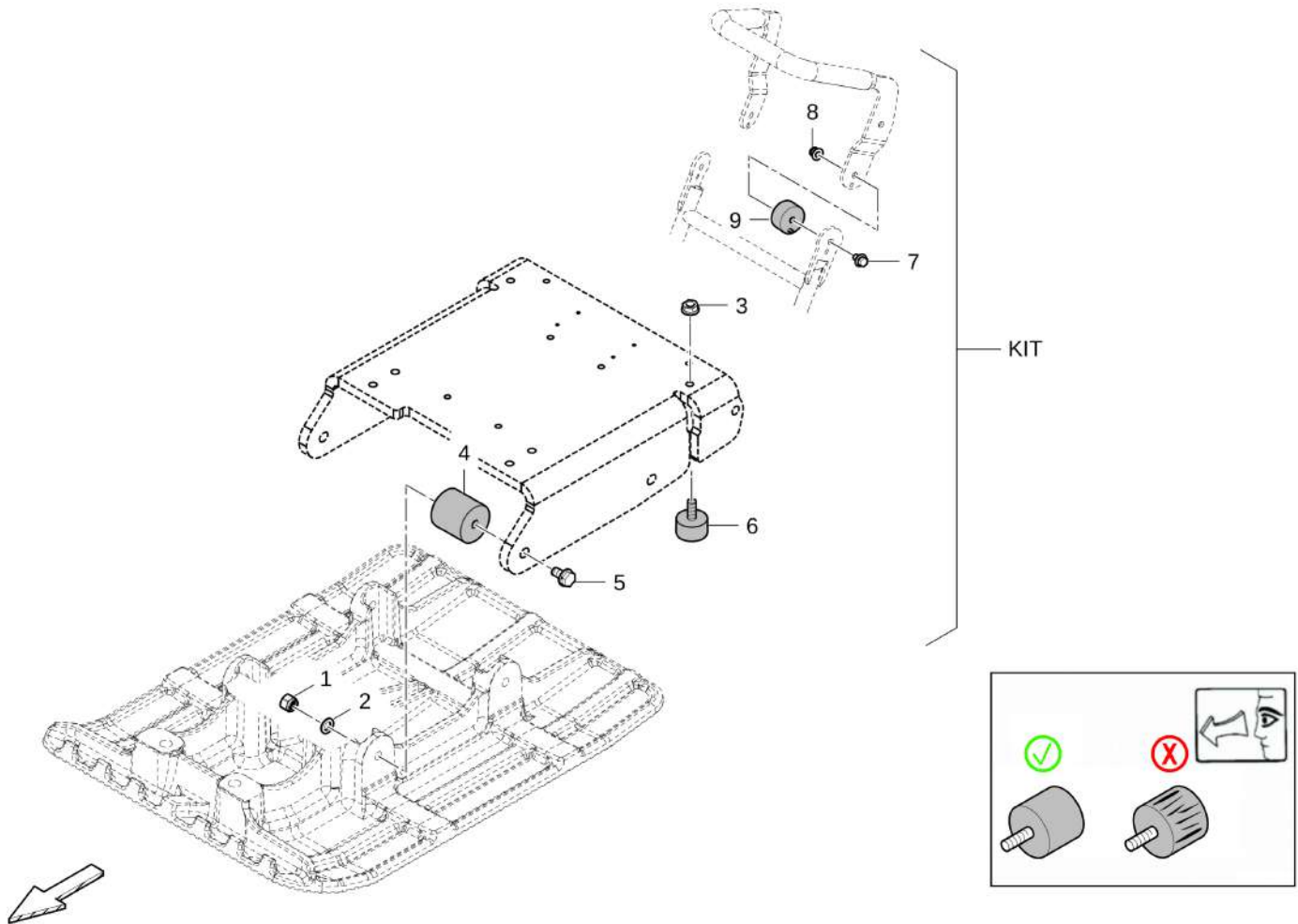


Item	Part No.	Qty	Name	SN INFO
1	4812400052	1	Repair kit, shock-absorber	
4	PNNA	1	Refurbishing kit	

Refer to Parts Online for the most up to date information. The printed information might be outdated.

Mon Jun 08 16:17:28 UTC 2026

Service, repair and wear part kits 4812400052 Repair kit, shock-absorber



Forward Plate DFP9X e (BatteryOne)

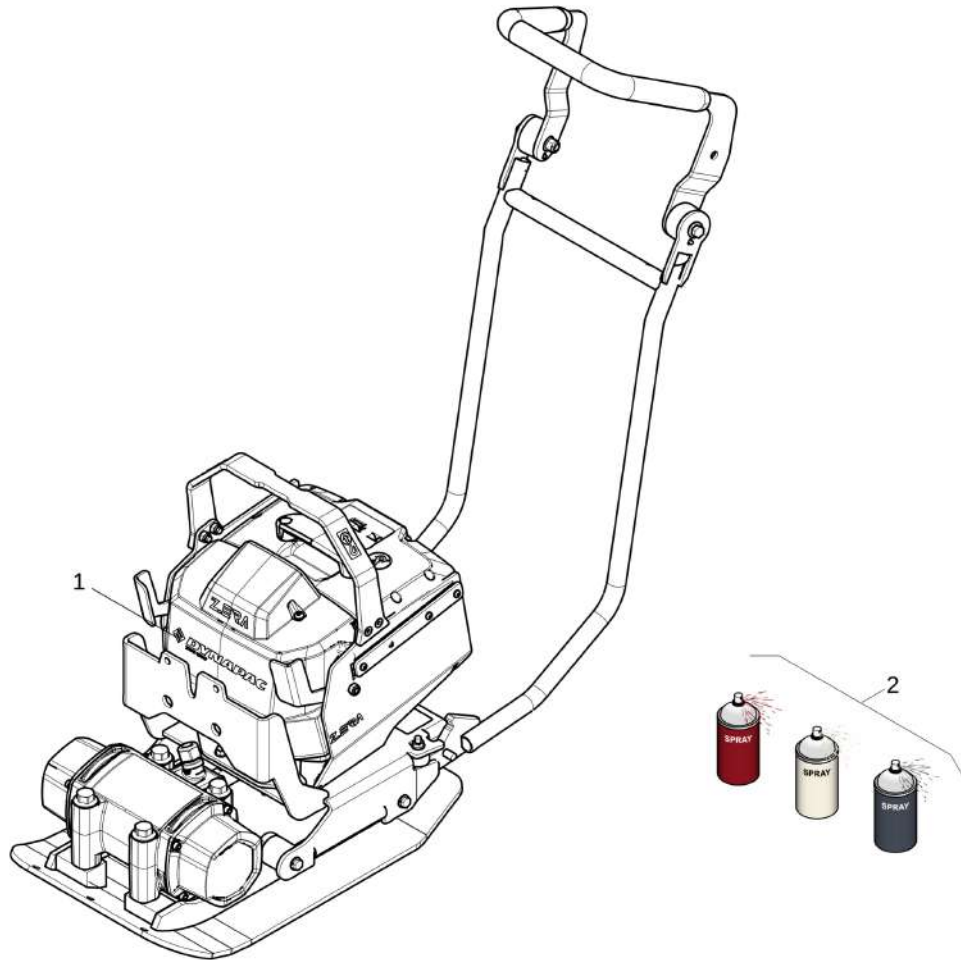


Item	Part No.	Qty	Name	SN INFO
KIT	4812400052	1	Repair kit, shock-absorber	
1	4812085056	4	Nut	
2	4812085055	4	Washer	
3	4812085342	2	Nut	
4	4812085375	4	Vibrations isolator	
5	4812400050	4	Screw	
6	4812085694	2	Vibrations isolator	
7	4812085048	2	Bolt	
8	4812085020	2	Nut	
9	4812085027	2	Vibration isolator	

Refer to Parts Online for the most up to date information. The printed information might be outdated.

Mon Jun 08 16:17:28 UTC 2026

Refurbishing kits Refurbishing kit



Forward Plate DFP9X e (BatteryOne)

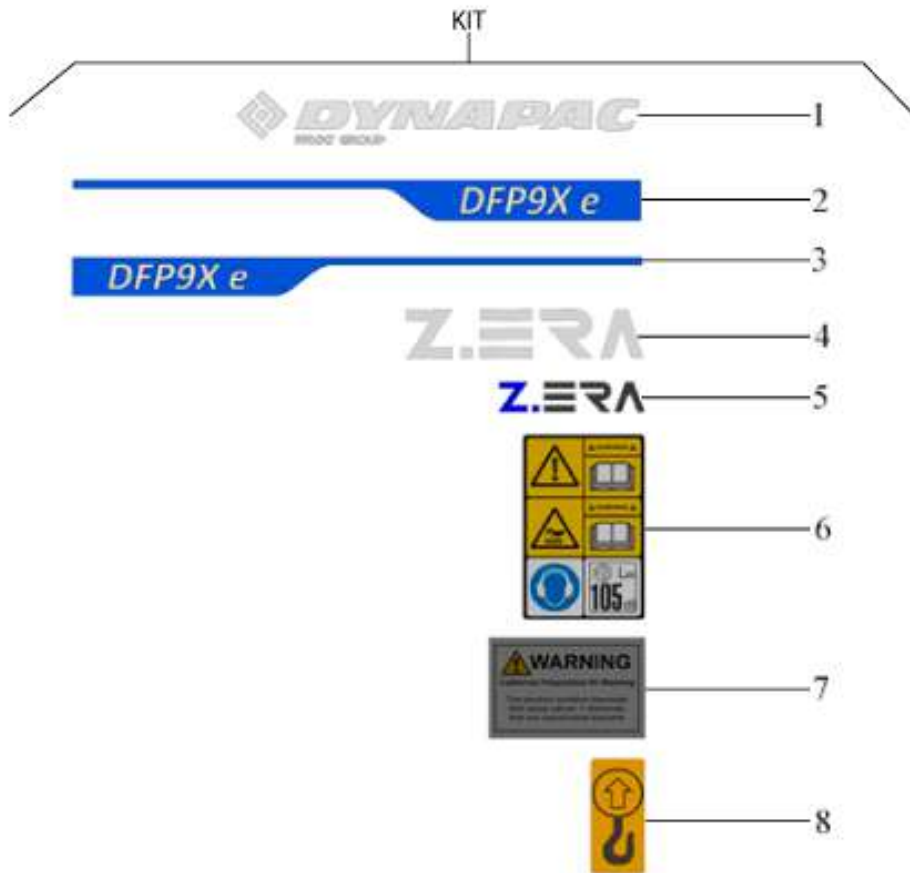


Item	Part No.	Qty	Name	SN INFO
1	4812400058	1	Refurbishing kit - decals	
2	PNNA	1	Color Dynapac-Light	

Refer to Parts Online for the most up to date information. The printed information might be outdated.

Mon Jun 08 16:17:29 UTC 2026

Refurbishing kits 4812400058 Refurbishing kit - decals



Forward Plate DFP9X e (BatteryOne)

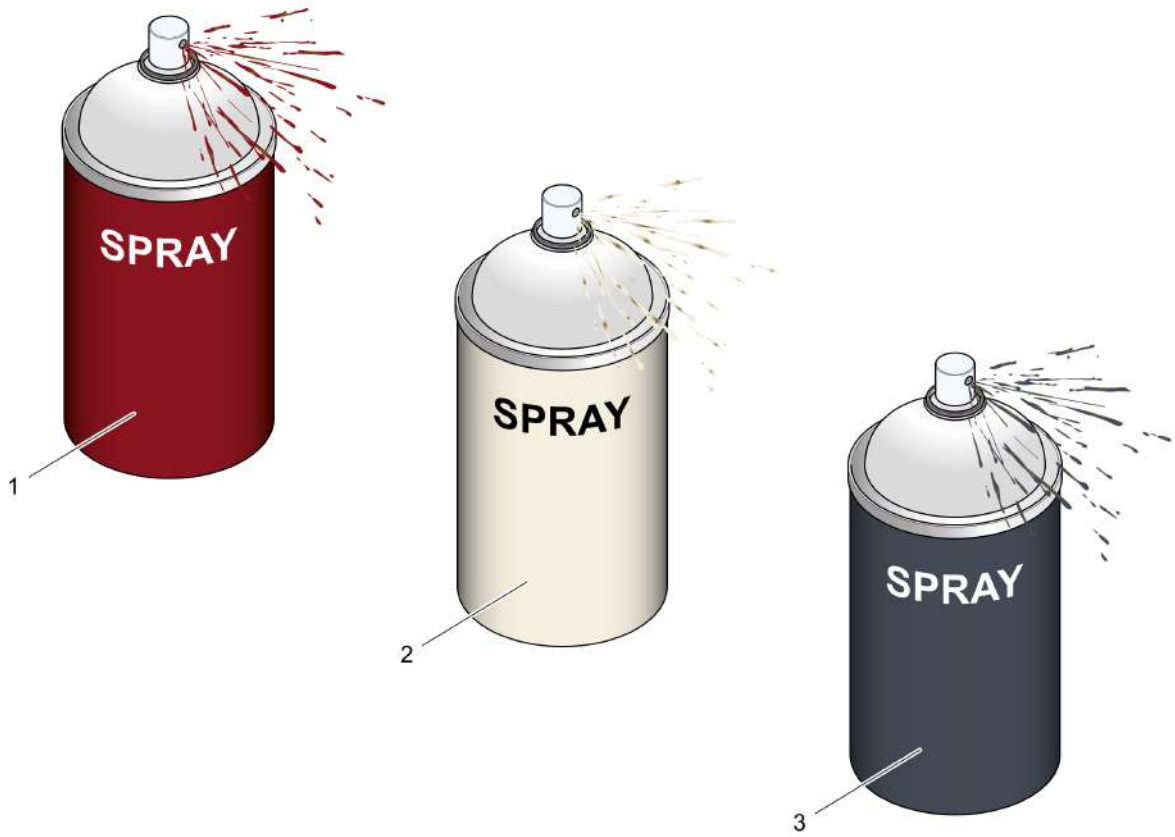


Item	Part No.	Qty	Name	SN INFO
KIT	4812400058	1	Refurbishing kit - decals	
1	4812400015	1	Decal	
2	4812400056	1	Decal	
3	4812400057	1	Decal	
4	4812400018	1	Decal	
5	4812400003	2	Decal	
6	4812400004	1	Decal	
7	4812085158	1	Decal	
8	4812085973	2	Decal	

Refer to Parts Online for the most up to date information. The printed information might be outdated.

Mon Jun 08 16:17:29 UTC 2026

Refurbishing kits Color Dynapac-Light



Forward Plate DFP9X e (BatteryOne)

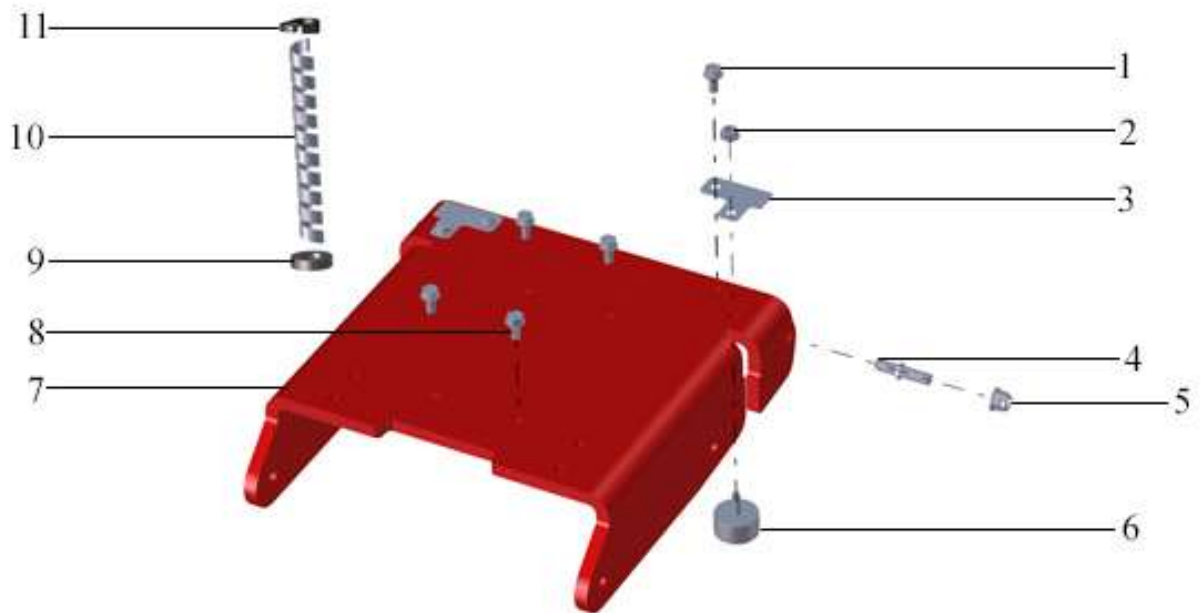


Item	Part No.	Qty	Name	SN INFO
1	4812215512	1	Dynapac color, red	
2	4812215516	1	Dynapac color, white	
3	4812071005	1	Dynapac color, grey	
3	DL00973105	1	Dynapac color, 400ml grey - D.ONE hood only	

Refer to Parts Online for the most up to date information. The printed information might be outdated.

Mon Jun 08 16:17:30 UTC 2026

50 Frame Chassis parts



Forward Plate DFP9X e (BatteryOne)

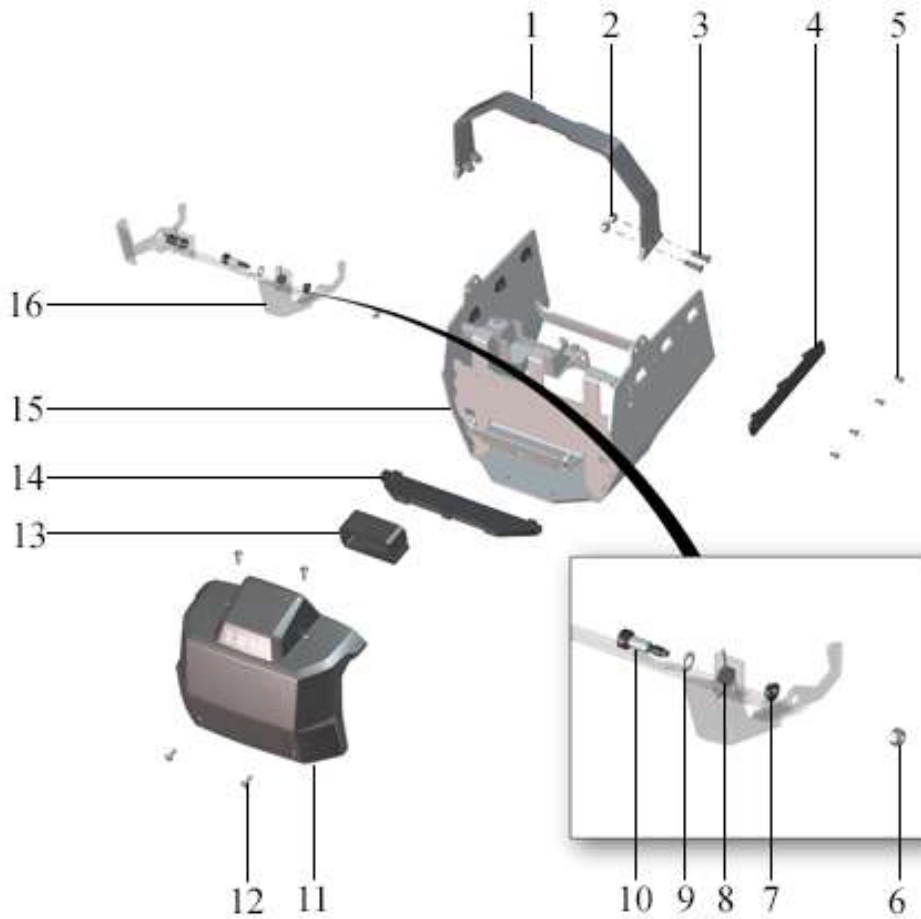


Item	Part No.	Qty	Name	SN INFO
1	4812085084	2	Bolt	
2	4812085342	2	Nut	
3	4812400046	2	Protection plate	
4	4812400023	2	Bolt	
5	4812085020	2	Nut	
6	4812085694	2	Vibrations isolator	
7	4812400047	1	Motor plate	
8	4812085084	2	Bolt	
9	4812400025	1	Ferrite core	
10	4812400026	1	Protective coil	
11	4812400027	1	Fixing clamp	

Refer to Parts Online for the most up to date information. The printed information might be outdated.

Mon Jun 08 16:17:30 UTC 2026

50 Frame Battery holder



Forward Plate DFP9X e (BatteryOne)



Item	Part No.	Qty	Name	SN INFO
1	4812400014	1	Battery holder	
2	4812085214	4	Nut	
3	4812085202	4	Bolt	
4	4812085985	2	Sliding strip	
5	4812085986	8	Screw	
6	4812085214	2	Nut	
7	4812085721	2	Sliding bushing	
8	4812085797	2	Spring	
9	4812085987	2	Washer	
10	4812085988	2	Fitting bolt	
11	4812085989	1	Cover	
12	4812085990	4	Screw	
13	4812085991	1	Connector	
14	4812085992	1	Cable holder	
15	4812400013	1	Battery holder	
16	4812085993	1	Locking bracket	

Refer to Parts Online for the most up to date information. The printed information might be outdated.

Mon Jun 08 16:17:30 UTC 2026

50 Frame devibrated handle



Forward Plate DFP9X e (BatteryOne)



Item	Part No.	Qty	Name	SN INFO
1	4812400043	1	Handle, cpl.	
1	PNNA	1	Devibrated handle parts	

Refer to Parts Online for the most up to date information. The printed information might be outdated.

Mon Jun 08 16:17:30 UTC 2026

Handle devibrated handle, cpl.



Forward Plate DFP9X e (BatteryOne)

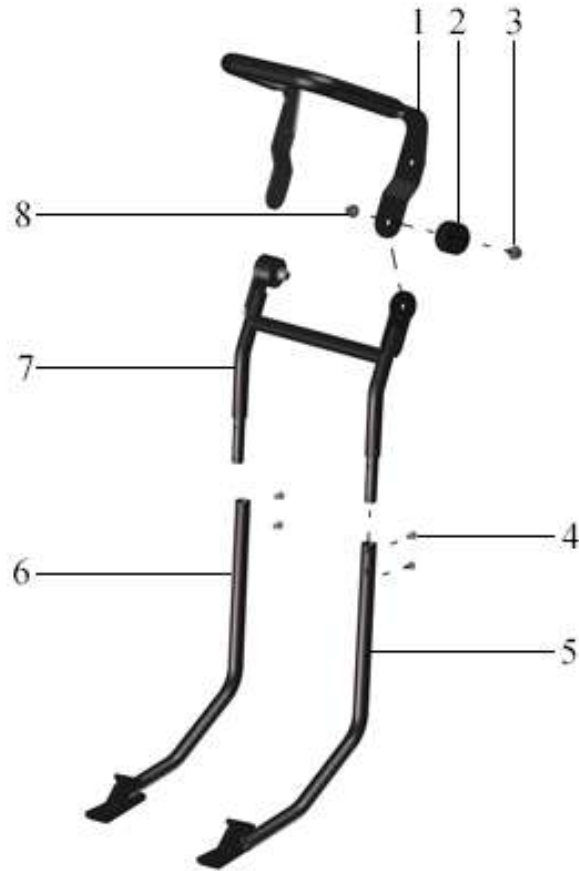


Item	Part No.	Qty	Name	SN INFO
1	4812400043	1	Handle, cpl.	

Refer to Parts Online for the most up to date information. The printed information might be outdated.

Mon Jun 08 16:17:30 UTC 2026

Handle Devibrated handle parts



Forward Plate DFP9X e (BatteryOne)

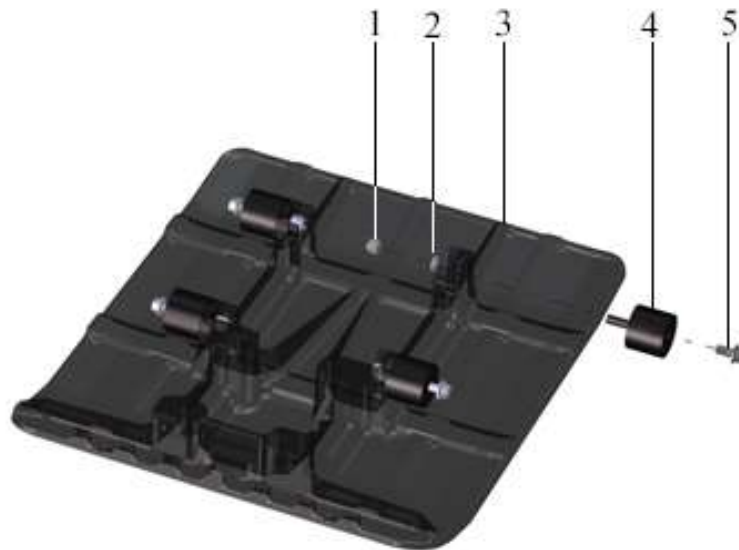


Item	Part No.	Qty	Name	SN INFO
1	4812085025	1	Handle	
2	4812085027	2	Vibration isolator	
3	4812085048	2	Bolt	
4	4812085023	4	Bolt	
5	4812400044	1	Handle, lower left	
6	4812400045	1	Handle, lower right	
7	4812400030	1	Handle, middle section	
8	4812085020	2	Nut	

Refer to Parts Online for the most up to date information. The printed information might be outdated.

Mon Jun 08 16:17:30 UTC 2026

65 Plate Base plate



Forward Plate DFP9X e (BatteryOne)

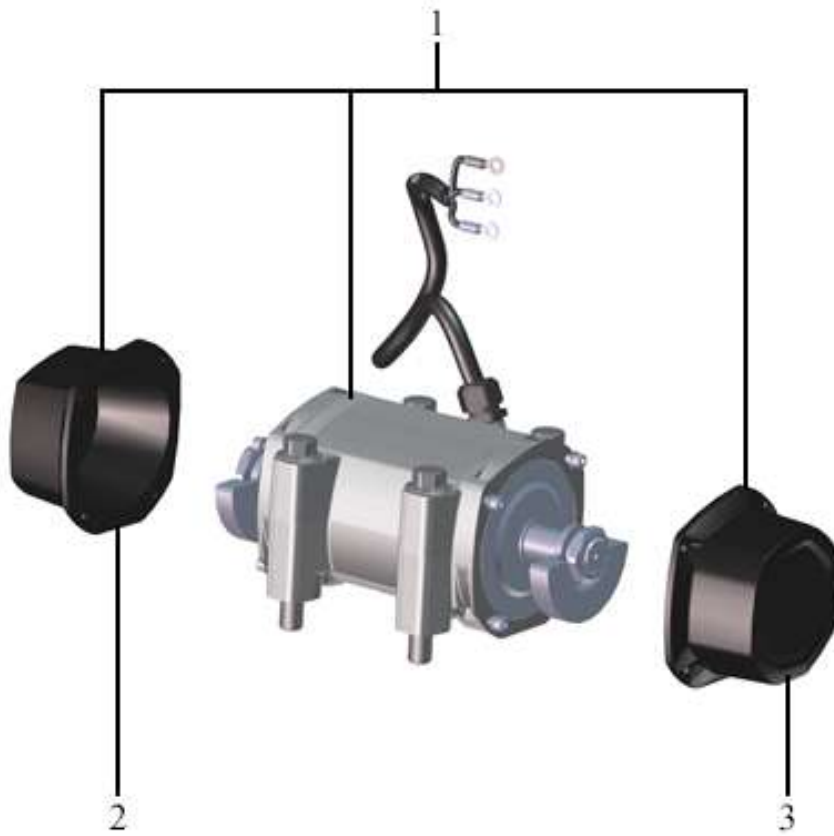


Item	Part No.	Qty	Name	SN INFO
1	4812085056	4	Nut	
2	4812085055	4	Washer	
3	4812400055	1	Base plate	
4	4812085375	4	Vibrations isolator	
5	4812400050	4	Screw	

Refer to Parts Online for the most up to date information. The printed information might be outdated.

Mon Jun 08 16:17:31 UTC 2026

80 Electrical System Vibrations unit



Forward Plate DFP9X e (BatteryOne)

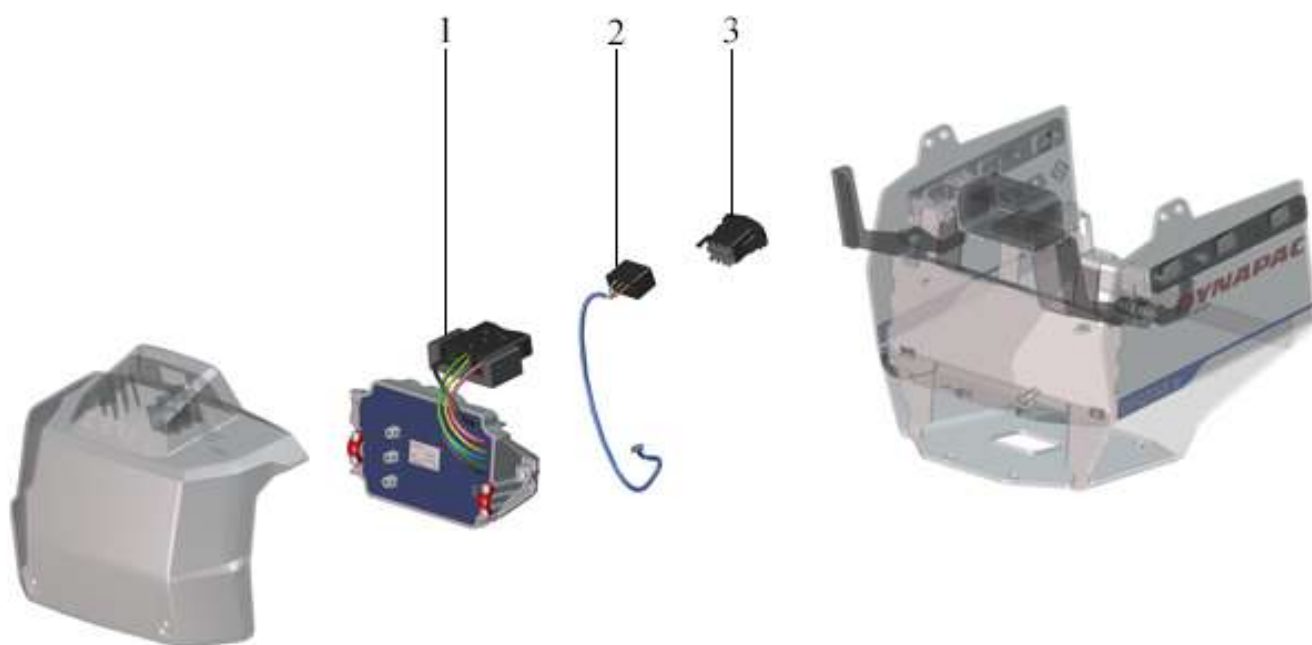


Item	Part No.	Qty	Name	SN INFO
1	4812400054	1	Vibrations unit	
2	4812400007	1	Cover, left	
3	4812400008	1	Cover. right	

Refer to Parts Online for the most up to date information. The printed information might be outdated.

Mon Jun 08 16:17:31 UTC 2026

80 Electrical System Electric components



Forward Plate DFP9X e (BatteryOne)

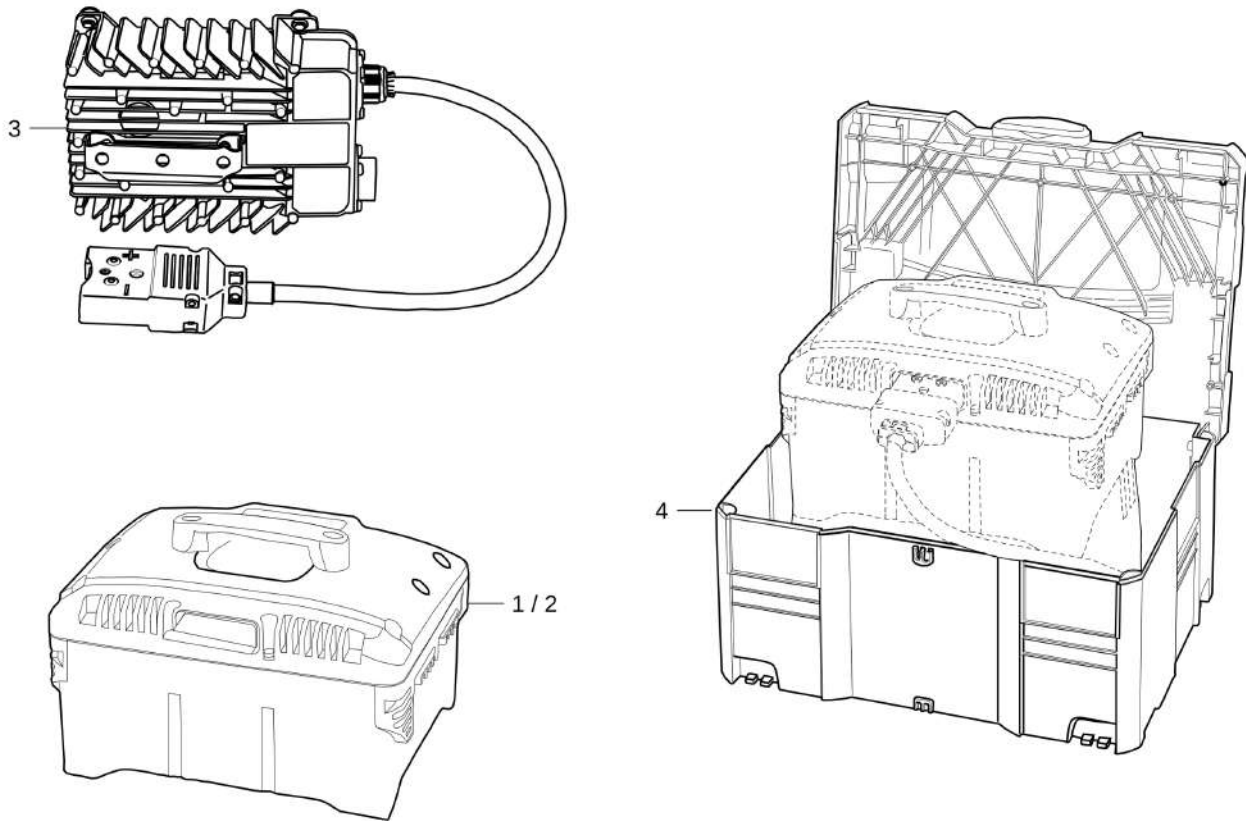


Item	Part No.	Qty	Name	SN INFO
1	4812085994	1	Motor control unit cpl.	
2	4812085995	1	Cable, power switch	
3	4812085996	1	Power switch	

Refer to Parts Online for the most up to date information. The printed information might be outdated.

Mon Jun 08 16:17:31 UTC 2026

80 Electrical System Charger and battery



Forward Plate DFP9X e (BatteryOne)

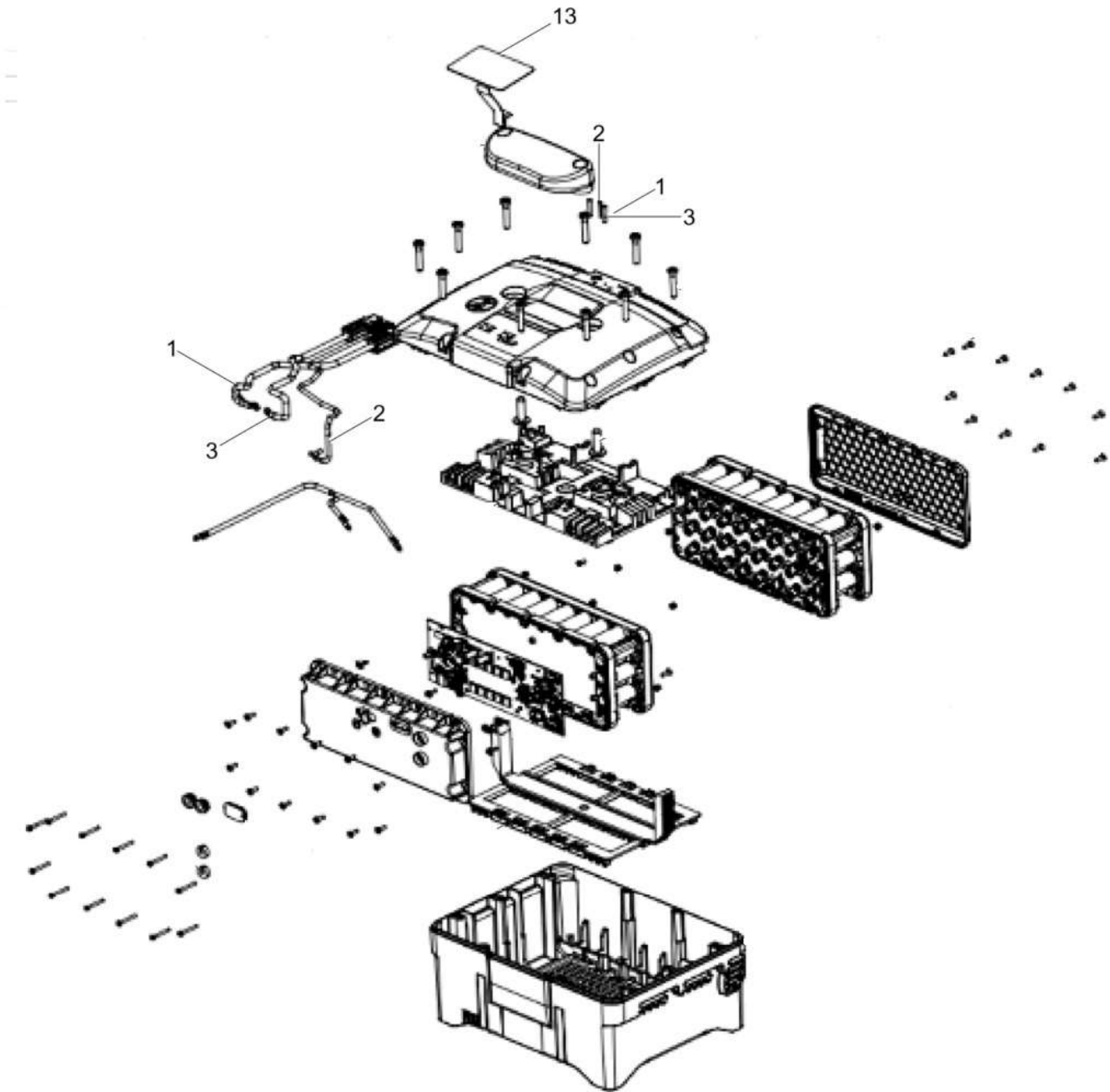


Item	Part No.	Qty	Name	SN INFO
1	4812335049	1	1400 Wh Battery incl. storage/transport box	
2	4812335048	1	1000 Wh Battery incl. storage/transport box	
3	4812335052	1	Normal charger w/o storage/transport box	
3	4812335053	1	Normal charger w/o storage/transport box, US	
4	4812335054	1	Quick charger incl. storage/transport box	
4	4812335055	1	Quick charger incl. storage/transport box, US	

Refer to Parts Online for the most up to date information. The printed information might be outdated.

Mon Jun 08 16:17:32 UTC 2026

80 Electrical System 4812335049 1400 Wh Battery incl. storage/transport box



Refer to Parts Online for the most up to date information. The printed information might be outdated.

Mon Jun 08 16:17:32 UTC 2026

Forward Plate DFP9X e (BatteryOne)

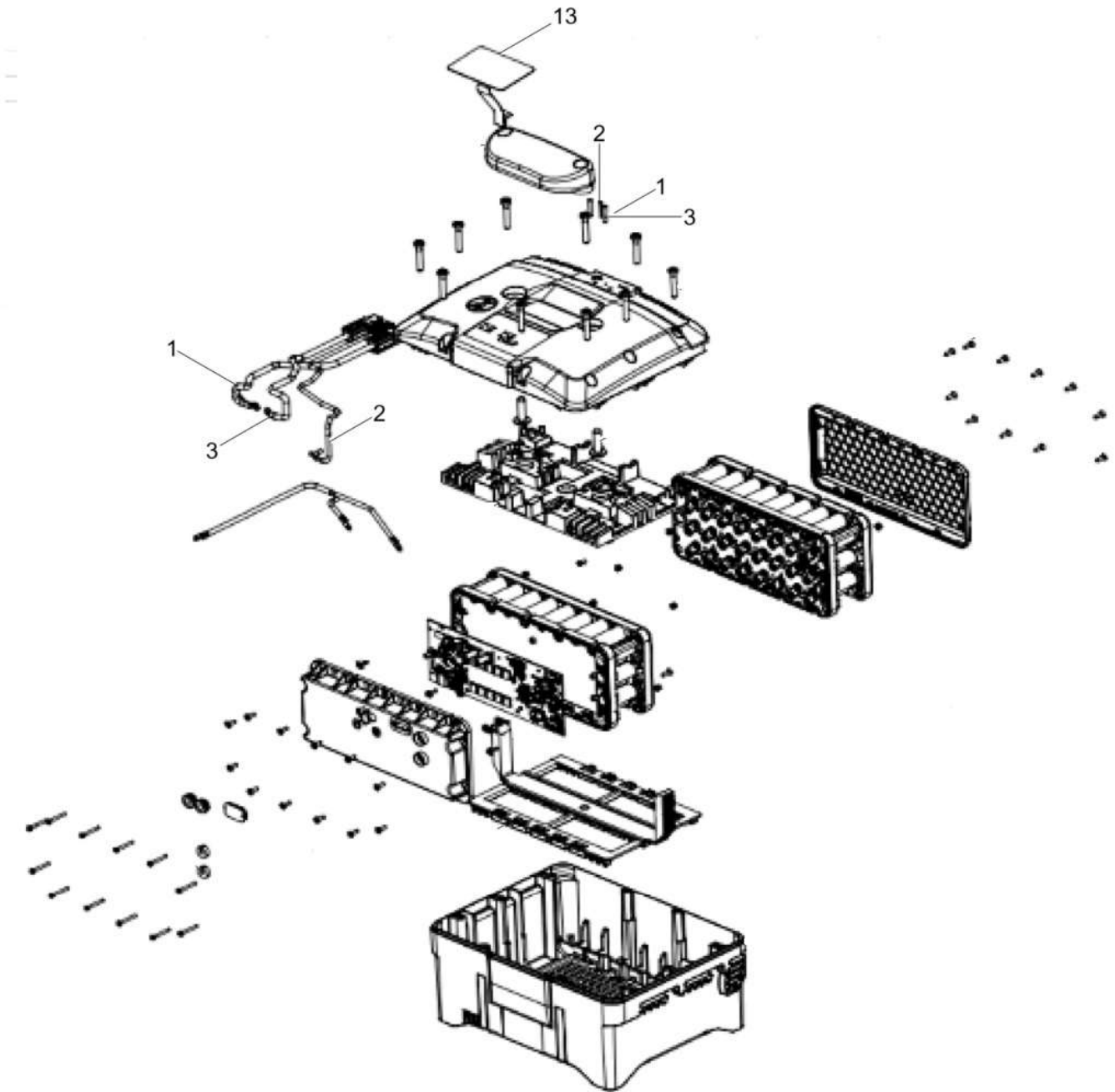


Item	Part No.	Qty	Name	SN INFO
1	4812351750	1	Supply line cpl.	
2	4812351991	1	Supply line cpl.	
3	4812351992	1	Supply line cpl.	
13	4812351993	1	Foil	

Refer to Parts Online for the most up to date information. The printed information might be outdated.

Mon Jun 08 16:17:32 UTC 2026

80 Electrical System 4812335048 1000 Wh Battery incl. storage/transport box



Refer to Parts Online for the most up to date information. The printed information might be outdated.

Mon Jun 08 16:17:33 UTC 2026

Forward Plate DFP9X e (BatteryOne)

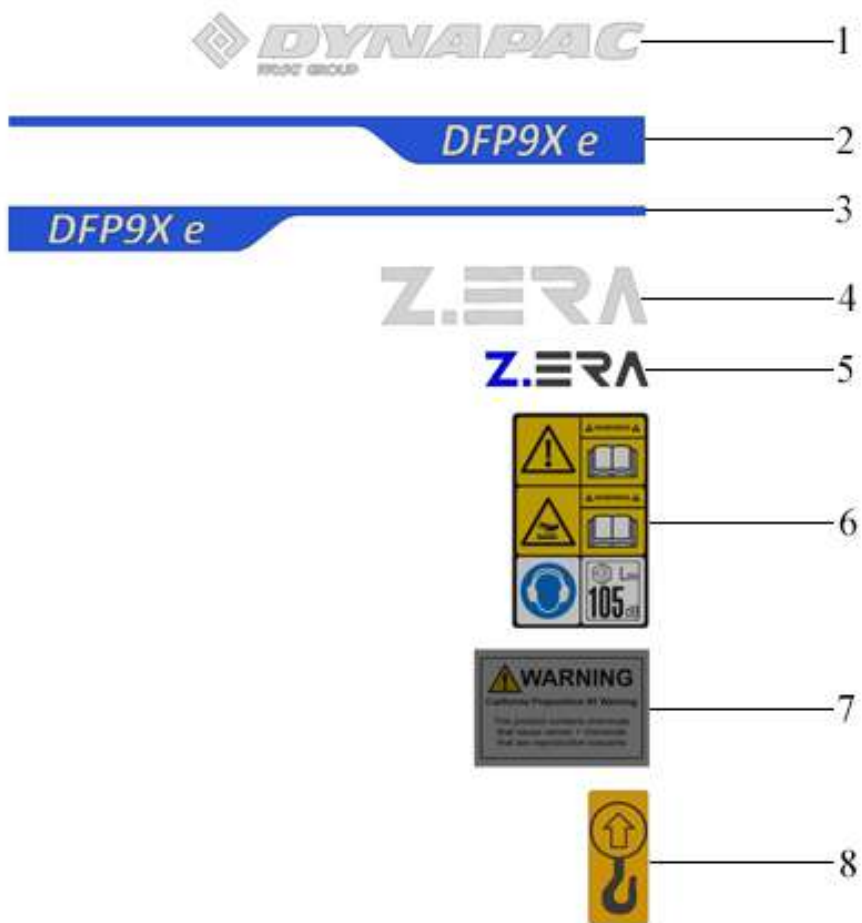


Item	Part No.	Qty	Name	SN INFO
1	4812351750	1	Supply line cpl.	
2	4812351991	1	Supply line cpl.	
3	4812351992	1	Supply line cpl.	
13	4812351993	1	Foil	

Refer to Parts Online for the most up to date information. The printed information might be outdated.

Mon Jun 08 16:17:33 UTC 2026

Accessories Decal



Forward Plate DFP9X e (BatteryOne)



Item	Part No.	Qty	Name	SN INFO
1	4812400015	1	Decal	
2	4812400056	1	Decal	
3	4812400057	1	Decal	
4	4812400018	1	Decal	
5	4812400003	2	Decal	
6	4812400004	1	Decal	
7	4812085158	1	Decal	
8	4812085973	2	Decal	

Refer to Parts Online for the most up to date information. The printed information might be outdated.

Mon Jun 08 16:17:33 UTC 2026

